

FORNI 2004

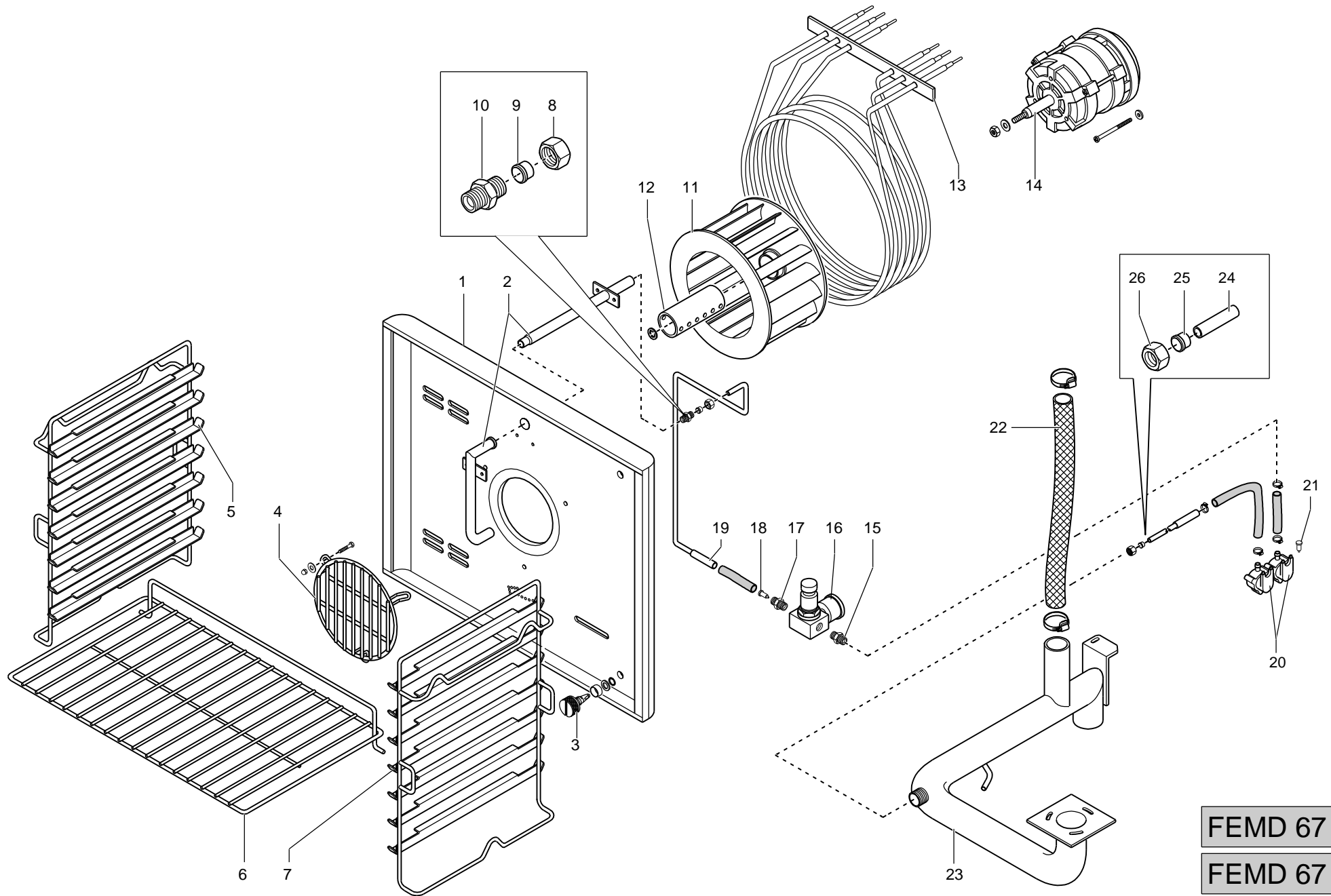
FEMD 67

FEMD 67 SC

TAV. 739

| TAVOLA | POS. | CODICE | ITALIANO | FRANCESE | INGLESE | TEDESCO |
|----------------|------|------------|-------------------------------|--|-------------------------------|--------------------------------|
| FORNI TAV. 739 | 1 | GAFOC00030 | AS.CERN.SUP.SX P.F. | CHARNIÈRE SUPÉRIEURE GAUCHE | INGE PIN SUPER.LEFT | TÜRANGEL OBEN LINKS |
| FORNI TAV. 739 | 1-1 | GAFOC00213 | AS.CERN.SUP.DX P.F. | CHARNIÈRE SUPÉRIEURE DROITE | INGE PIN SUP. RIGHT | TÜRANGEL RECHTS |
| FORNI TAV. 739 | 2 | 161167 | GR. VETRO INT. SX/DX | GROUPE VERRE INTERIEUR GAUCHE/DROITE | INNER UNIT GLASS LEFT/RIGHT | GRUPPE INNENGLAS RECHTS/LINKE |
| FORNI TAV. 739 | 3 | 161155 | AS.PORTA F.SX | PORTE DU FOUR GAUCHE | OVEN DOOR LEFT | OFENTÜR LINKS |
| FORNI TAV. 739 | 3-1 | 161613 | AS.PORTA F.DX | PORTE DU FOUR DROITE | OVEN DOOR RIGHT | OFENTÜR RECHTS |
| FORNI TAV. 739 | 4 | 161171 | VETRO ESTERNO SX/DX | VERRE EXTER GAUCHE/DROITE | EXTERNAL GASKET LEFT/RIGHT | EXTERNER GLAS RECHTS/LINKE |
| FORNI TAV. 739 | 5 | 161477 | GOMMINO PORTA FORNO | BOUCHON DE LA PORTE | DOOR RUBBER CAP | TÜRGUMMI |
| FORNI TAV. 739 | 6 | 161387 | CERN.INF.P.F.SX | CHARNIÈRE INFÉRIEUR GAUCHE PORTE DU FOUR | INGE PIN INFER.LEFT | TÜRANGEL UNTEN LINKS |
| FORNI TAV. 739 | 6-1 | PAFOC00583 | CERN.INF.P.F.DX | CHARNIÈRE INFÉRIEUR DROITE PORTE DU FOUR | INGE PIN INF. RIGHT | TÜRANGEL INF. RECHTS |
| FORNI TAV. 739 | (7) | 160912 | MANIGLIA P.F. | POIGNÉE | HANDLE | HANDGRIFF |
| FORNI TAV. 739 | (8) | RTFOC00338 | ANELLO EST.MAN.P.F. | ANNEAU EXT. POIGNÉE PORTE DU FOUR | OUTWARD RING OVEN DOOR HANDLE | HANDGRIFF |
| FORNI TAV. 739 | (9) | 160911 | BASSETTA MANIGLIA | EPAISSEUR POIGNÉE | HANDLE | HANDGRIFF |
| FORNI TAV. 739 | (10) | RTFOC00337 | ANELLO INT.GRADINO MAN.P.F. | ANNEAU INTERIEUR EPAISSEUR | INNER RING | INNENRING |
| FORNI TAV. 739 | 11 | 161147 | AS. CASSETTO SX INT. P.F. | GROUPE BASSIN GAUCHE | UNIT DRAWER LEFT | GRUPPE SCHUBLADE LINKE |
| FORNI TAV. 739 | 11-1 | 161606 | AS. CASSETTO DX INT. P.F. | GROUPE BASSIN DROITE | UNIT DRAWER RIGHT | GRUPPE SCHUBLADE RECHTS |
| FORNI TAV. 739 | 12 | 161131 | AS.CASSETTO SX | BASSIN GAUCHE | TRAY LEFT | SCHUBLADE LINKS |
| FORNI TAV. 739 | 12-1 | 161605 | AS.CASSETTO DX FGC065 | BASSIN DROITE | TRAY RIGHT | SCHUBLADE RECHTS |
| FORNI TAV. 739 | 13 | RTFOC00413 | PIEDINO+T.OTTAG. | PIED | FOOT | FUSS |
| FORNI TAV. 739 | (14) | RTFOC00711 | MICROINT. RMP UNIPOL. | MICRO-INTERRUPTEUR PORTE DU FOUR | MICRO OVEN DOOR | MIKRO OFENTÜR |
| FORNI TAV. 739 | 15 | 164770 | AS.CRUSCOTTO | PANNEAU DE CONTRÔLE | CONTROL PANEL | STIRNBRETT |
| FORNI TAV. 739 | 16 | PAFOC00416 | FIANCO DX | CÔTÉ DROITE | RIGHT SIDE | RECHTE SEITE |
| FORNI TAV. 739 | 17 | PAFOC00690 | POSTERIORE INOX | ARRIÈRE EXT. | POSTERIOUR EXT. | HINTEN AUSSEN |
| FORNI TAV. 739 | 18 | 161200 | AS.COPERCHIO | COUVERCLE EXT. | COVER EXT. | ABDECKUNG |
| FORNI TAV. 739 | 19 | PAFOC00418 | FIANCO SX | CÔTÉ GAUCHE | LEFT SIDE | LINKE SEITE |
| FORNI TAV. 739 | 20 | 161152 | AS. GHIERA BLOCCO VETRO | GROUPE BAGUE BLOCAGE VERRE | UNIT LUCKING GLASS NUT | GRUPPE GEFESTIGUNGSMUTTER GLAS |
| FORNI TAV. 739 | 21 | GAFOC00027 | AS.C/FORO CASS. | COUVRE TROU | PLUG | LOCHABDECKUNGSPFROPFEN |
| FORNI TAV. 739 | 22 | RTFOC00555 | AT.GRIGLIA LAT.F. | ATTAQUE GRILLE LATÉRALE | GRILL CONNECTION SIDE | GRILLAUFPLAGE SEITE |
| FORNI TAV. 739 | 23 | RTFOC00415 | ASTA TRAS.SCA.COND. | BARRE TRANSVERSAL | ROD TRANSVERS. | STAB |
| FORNI TAV. 739 | 24 | RTFOC00507 | ASTA ANT.SCA.COND. | BARRE ANTÉRIEUR | ROD ANTERIOUR | STAB VORNE |
| FORNI TAV. 739 | 25 | 161660 | MANOP.COND. | BOUTON | KNOB | DREHGRIFF |
| FORNI TAV. 739 | 26 | PAFOC00680 | DISCO INF.SCARICO COND. | DISQUE INFÉRIEUR DÉCHARGÉ | DISC INFER. OUTLET | SCHIBE UNTEN AUSGANG |
| FORNI TAV. 739 | 27 | RTFOC00382 | *CORNICE FIS.VETRO P/LAMP. | CADRE DU PORTELAMPE | MOULDING P/LAMP | UMRAHMUNG P/LAMPE |
| FORNI TAV. 739 | 28 | 161283 | GUARNIZIONE P/LAMPADA | GARNITURE DU PORTELAMPE | GASKET P/LAMP | DICHTUNG P/LAMPE |
| FORNI TAV. 739 | 29 | RTFOC00201 | *VETRO P/LAMPADA | VERRE DU PORTELAMPE | GLASS P/LAMP | GLAS P/LAMPE |
| FORNI TAV. 739 | 30 | 161281 | PORTA LAMPADA | PORTELAMPE | DOOR LAMP | PORTA LAMPE |
| FORNI TAV. 739 | (31) | 161282 | LAMPADA | LAMPE | LAMP | LAMPE |
| FORNI TAV. 739 | 32 | RTFOC00009 | GANCIO | CROCHET | HOOK | HAKEN |
| FORNI TAV. 739 | 33 | RTFOC00005 | ZOCCOLO ESTERNO | GODET EXTÉRIEUR | OUTWARD BASE | SOCKEL AUSSEN |
| FORNI TAV. 739 | (34) | GAFOC00005 | SERRATURA | SERRURE | LOCK | SCHLOSS |
| FORNI TAV. 739 | 35 | RTFOC00057 | ZOCCOLO CENTRALE | GODET CENTRAL | CENTRAL BASE | SOCKEL ZENTRAL |
| FORNI TAV. 739 | 35 | 161513 | MOLLA FERMO GHIERA | RESSORT DE LA SERRURE DU VIROLE | FERRULE LOCK SPRING | FEDER DES MUTTER-SCHLOSSES |
| FORNI TAV. 739 | 36 | RTMIN00114 | DADO CECO M6 | ECROU | NUT | MUTTER |
| FORNI TAV. 739 | 37 | 161150 | AS. PROTEZIONE SERRATURA SX | GROUPE PROTECTION SERRURE GAUCHE | UNIT LEFT LOCK PROTECTION | GRUPPE SHUTZSCHLOSS LINKE |
| FORNI TAV. 739 | 37-1 | 161580 | AS. PROTEZIONE SERRATURA DX | GROUPE PROTECTION SERRURE DROITE | UNIT RIGHT LOCK PROTECTION | GRUPPE SHUTZSCHLOSS RECHTS |
| FORNI TAV. 739 | 38 | 161411 | GUARNIZIONE CRUSCOTTO | GARNITURE PANNEAU DE CONTRÔLE | CONTROL PANEL GASKET | DICHTUNGSTIRNBRETT |
| FORNI TAV. 739 | (39) | RTFOC00723 | GUARNIZIONE FACCIATA | GARNITURE DEVANTURE | GASKET FACE | DICHTUNG OFENVORDERWAND |
| FORNI TAV. 739 | 40 | RTFOC00514 | DISTANZ.INF/SUP SERR.FGC060/1 | ENTRTOISE | SPACER | DISTANZSTÜCK |
| FORNI TAV. 739 | 41 | RTFOC00515 | DISTANZ.CENT.SERR.FGC060/1 | ENTRTOISE | SPACER | DISTANZSTÜCK |

○ = RICAMBI CONSIGLIATI - RECOMMENDED SPARE PARTS



FORNI 2004

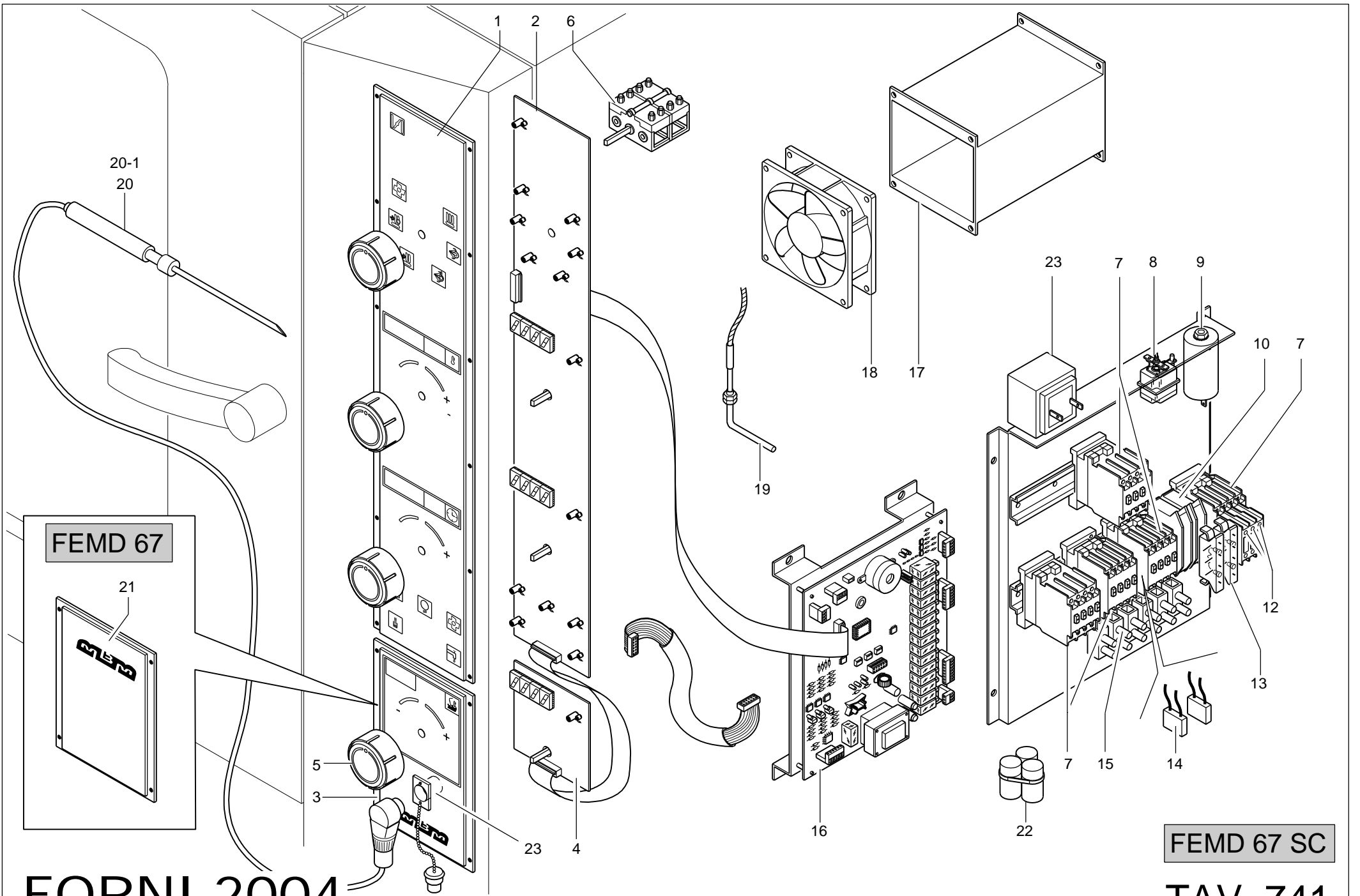
FEMD 67

FEMD 67 SC

TAV. 740

| TAVOLA | POS. | CODICE | ITALIANO | FRANCESE | INGLESE | TEDESCO |
|----------------|------|-----------------------|--|---------------------------------|---------------------------------|---------------------------------|
| FORNI TAV. 740 | 1 | PAFOC00625 | CONV.ARIA | CONVOYEUR | FAN | VENTILATOR |
| FORNI TAV. 740 | 2 | RTFOC00408 | TU.UMIDIFICATORE | HUMIDIFICATEUR | HUMIDIFIER | BEFEUCHTER |
| FORNI TAV. 740 | 3 | RTFOC00334 | AT.RAPIDO | ATTAQUE RAPIDE | CONNECTION | SCHNELLANSCHLUSS |
| FORNI TAV. 740 | 4 | RTFOC00174 | GRIGLIA PROT.VENT. | GRILLE DE PROTECTION | GRILL IMPELLER PROTECTION | SCHUTZGITTER SCHORNSTEIN |
| FORNI TAV. 740 | 5 | RTFOC00613 | GRIGLIA LAT.SX | GRILLE LATÉRALE GAUCHE | GRILL SIDE LEFT | GRILL SEITE LINKS |
| FORNI TAV. 740 | 6 | RTFOC00175 | GRIGLIA FORNO GN 1/1 | GRILLE DU FOUR GN 1/1 | GRILL OVEN GN 1/1 | GRILL HERD GN 1/1 |
| FORNI TAV. 740 | 7 | RTFOC00612 | GRIGLIA LAT.DX | GRILLE LATÉRALE DROIT | GRILL SIDE RIGHT | GRILL SEITE RECHTS |
| FORNI TAV. 740 | 8 | RTFOC00020 | CALOTTA UMIDIF. | ECROU | NUT | MUTTER |
| FORNI TAV. 740 | 9 | RTCU900018 | BICONO D.6 | BICONE POUR TUBE Ø 6 | BICONE FOR PIPE Ø 6 | ZWEIKEGEL Ø 6 |
| FORNI TAV. 740 | 10 | RTFOC00557 | INIET.UMIDIF. D.1.5 | INJECTEUR HUMIDIFICATEUR | INJECTOR HUMIDIFIER | EINSPRITZER BEFEUCHTER |
| FORNI TAV. 740 | 11 | 161275 | GIRANTE VENT.6G D.220 P.R. 50HZ | MOBILE 50HZ | IMPELLER 50HZ | LAUFRAD 50HZ |
| FORNI TAV. 740 | 12 | RTFOC00437 | NEBULIZZATORE | NÉBULISATEUR | DISTRIBUTOR | ZERSTÄUBER |
| FORNI TAV. 740 | (13) | RTFOC00433 | RESISTENZA | RESISTANCE | RESISTANCE | WIEDERSTAND |
| FORNI TAV. 740 | 14 | RTFOC00011 | MOTORE | MOTEUR | MOTOR | MOTOR |
| FORNI TAV. 740 | 15 | RTFOC00626 | RACCORDO P/GOMMA | RACCORD SOUPLE | UNION RUBBER | ANSCHLUSS GUMMI |
| FORNI TAV. 740 | 16 | RTFOC00624+RTFOC00625 | REGOLATORE DI PRESSIONE + MANOMETRO | REGULATEUR PRESSION + MANOMÈTRE | PRESSURE REGULATOR + MMANOMETER | DRUCKREGLER + SICHERHEITSVENTIL |
| FORNI TAV. 740 | 18 | RTFOC00120 | REGOLATORE DI PORTATA ROSSO 0,25 L/MIN | REGULATEUR DE PORTÉE ROUGE | RED FLOWREGULATOR | ROTE DURCHSTRÖMUNGSREGLER |
| FORNI TAV. 740 | 19 | RTFOC00749 | TU.AL.ACQ.UMIDIF. | TUYAU HUMIDIFICATEUR | PIPE HUMIDIFIER | ROHR BEFEUCHTER |
| FORNI TAV. 740 | (20) | RTFOC00203 | ELETTROVALVOLA | SOUPAPE | ELECTRIC VALVE | ELEKTROVENTIL |
| FORNI TAV. 740 | 21 | RTFOC00726 | REGOLATORE DI PORTATA VERDE 0,45 L/MIN | REGULATEUR DE PORTÉE VERTE | GREEN FLOWREGULATOR | GRÜNE DURCHSTRÖMUNGSREGLER |
| FORNI TAV. 740 | 22 | 161508 | TUBO GOMMA | TUBE EN CAOUTCHAUC | RUBBER PIPE | ROHR GUMMI |
| FORNI TAV. 740 | 23 | 161210 | RAMPA SC.COND.INF. | RAMPE DU DÉCHARGEMENT EAU | RAMP WATEROUTLET | RAMPE WASSERABFLUSS |
| FORNI TAV. 740 | 24 | 161533 | TU.AB.VAPORI | TUYAU DÉTACHEMENT VAPEUR | PIPE STEAM | ROHR DAMPF |
| FORNI TAV. 740 | 25 | RTCU900012 | BICONO D.10 | BICONE D.10 | DOUBLE CONE D.10 | DOPPELKONUS D.10 |
| FORNI TAV. 740 | 26 | RTCU900013 | CALOTTA D10 | ECROU D10 | NUT D10 | MUTTER D10 |

○ = RICAMBI CONSIGLIATI - RECOMMENDED SPARE PARTS



FORNI 2004

TAV. 741

| TAVOLA | POS. | CODICE | ITALIANO | FRANCESE | INGLESE | TEDESCO |
|----------------|------|------------|----------------------|------------------------------|------------------------|----------------------|
| FORNI TAV. 741 | 1 | 164764 | MASCHER.CRUS. FRONT. | MASQUE FRONTAL | COVER FRONTAL | ABDECKUNGVORNE |
| FORNI TAV. 741 | 2 | RTFOC00672 | SCHEDA DISPLAY | CARTE DISPLAY | SCHEME DISPLAY | SCHALTPLAN DISPLAY |
| FORNI TAV. 741 | 3 | 164766 | MASCHER.CRUS. SONDA | MASQUE SONDEUSE | COVER PROBE | ABDECKUNGSONDE |
| FORNI TAV. 741 | 4 | RTFOC00673 | SCHEDA SONDA | SCHEDA EL. SONDE | SCHEME EL. PROBE | SCHALTPLAN EL. SONDE |
| FORNI TAV. 741 | 5 | 164761 | MANOPOLA | BOUTON | KNOB | DREHGRIF |
| FORNI TAV. 741 | (6) | RTFOC00669 | COMM. | COMMUTATEUR | COMMUTATOR | KOMMUTATORGRIF |
| FORNI TAV. 741 | 7 | 164608 | RELAIS | RELAIS | RELAY | RELAIS |
| FORNI TAV. 741 | (8) | RTFOC00483 | T.L. T350 | THERMOSTAT LIMITEUR | THERMOSTAT LIMIT. OVEN | LIMIT THERMOSTAT |
| FORNI TAV. 741 | 9 | RTFOC00053 | CONDENSATORE | CONDENSATEUR | CONDENS. MOTOR | CONDENS. MOTOR |
| FORNI TAV. 741 | 10 | RTFOC00048 | P/FUSIBILE | PORTE-FUSIBLES | FUSE HOLDER | SICHERUNGSHALTER |
| FORNI TAV. 741 | 11 | 161284 | TRASFORMATORE W20 | TRANSFORMATEUR | TRASFORMATOR | TRASFORMATOR |
| FORNI TAV. 741 | 12 | RTFOC00789 | CONTATTI A. | AUXILIARIE CONTACT | AUXILIARY CONTACT | HILFSANSCHLÜSSE |
| FORNI TAV. 741 | 13 | RTFOC00284 | FUSIBILE 6,3 A | FUSIBLE 6,3 A | FUSIBLE 6,3 A | SICHERUNG 6,3 A |
| FORNI TAV. 741 | 14 | RTFOC00023 | A/DISTURBO | ANTI-PERTURBATION | ANTIJAMMING FILTER | FILTER A/STÖRUNG |
| FORNI TAV. 741 | 15 | RTBF900045 | MORSETTIERA | GROUPE DE CONNECTION 6 POLES | TERMINAL BLOCK 6 POLES | KLEMMBRETT 6 POLIG |
| FORNI TAV. 741 | 16 | RTFOC00671 | SCHEDA POTENZA | CARTE DE PUISSANCE | POWER SCHEME | SCHALTPLAN POTENZ |
| FORNI TAV. 741 | 17 | GAFOC00246 | AS.CONV.CALORE | CONVOYEUR | FAN | UMWÄLZER |
| FORNI TAV. 741 | 18 | RTFOC00254 | VENT.CALORE | VENTILATEUR CHALEUR | HEATFAN | WÄRMEVENTILATOR |
| FORNI TAV. 741 | 19 | RTFOC00321 | TERMOCOPPIA CAMERA | THERMOCOUPLE | THERMOELEMENT | THERMOELEMENT |
| FORNI TAV. 741 | 20 | 161390 | SONDA CUORE Ø4 | SONDE Ø4 | PROBE Ø4 | SONDE Ø4 |
| FORNI TAV. 741 | 20-1 | 161389 | SONDA CUORE Ø2 | SONDE Ø2 | PROBE Ø2 | SONDE Ø2 |
| FORNI TAV. 741 | 21 | 164765 | MASCHER.CRUS. NEUTRA | MASQUE NEUTRE | COVER NEUTRA | ABDECKUNG NEUTRAL |
| FORNI TAV. 741 | 22 | RTFOC00312 | A/DISTURBO | ANTI-PERTURBATION | ANTIJAMMING FILTER | FILTER A/STÖRUNG |
| FORNI TAV. 741 | 23 | 161391 | CONNETTORE SONDA FCB | ATTAQUE SONDE | PROBE CONNECTION | SONDESCHLÜß |

○ = RICAMBI CONSIGLIATI - RECOMMENDED SPARE PARTS